

HRXD SERIES

www.honeywellvideo.com

MULTI-CHANNEL EMBEDDED DIGITAL VIDEO RECORDERS (9 AND 16 CHANNEL)

The HRXD Series is a high-performance digital recording system that combines the benefits of digital recording up to 240 ips NTSC and 200 ips PAL with the advanced processing of a multiplexer. The HRXD DVRs feature Honeywell's sophisticated, proprietary XtraStor compression technology that provides more storage on smaller media without sacrificing image quality – providing days, weeks and even months of high-resolution video storage.

The HRXD Series performs advanced processing on video received from the 9 or 16 input cameras, allowing customization of time lapse, event, pre-event, and other recording parameters necessary to support a wide variety of surveillance applications. Additional options exist to control recording by schedules, external inputs such as text input, alarm sensors, or configurable motion detection.

This flexibility provides a customized video processing system for each installation. The HRXD Series continues to record during playback, archive, and remote access sessions. The HRXD Series also provides users with fast and effective video clip copying and archiving functions via hard disk drives, built-in CD-RW, Ultra Wide SCSI, and USB (hard disk, CD-RW or FLASH drives).

The HRXD Series offers full support for remote access using Remote Administration System Plus Software (RASplus), which allows remote monitoring of up to 16 DVRs at once. Networking capabilities (LAN & ADSL) enable users to operate and manage the system remotely.

Market Opportunities

The HRXD Series' advanced feature set makes it ideal to support a wide variety of surveillance applications, including: Retail and financial (the text interface allows the HRXD to interface to ATMs and POS terminals) and law enforcement (high capture rate supports operating multiple simultaneous cameras). Educational facilities and other institutions benefit from HRXD's intuitive user interface that makes it easy to search for desired video and copy the video clips to commonly available media such as CD-ROM or USB memory sticks.

Features

- 9 or 16 looping video inputs (model dependent)
- Long-term video storage using XtraStor Technology
- Continues recording while archiving, transmitting to remote site and during playback
- Records up to 240/200 images per second (NTSC/PAL)
- Built-in CD-RW drive and 3 USB 2.0 ports
- Infrared remote control
- Text input for interface to automatic teller machines and point-of-sale (POS) terminals
- Time synchronization between DVR and time server or other DVR
- PTZ dome control for a wide variety of protocols
- Remote access through PSTN, LAN/WAN (internal NIC), DSL and ISDN (RASplus software included)
- Video archiving via Ultra Wide SCSI interface
- WebGuard remote access via PC with Microsoft® Internet Explorer web browser



HRXD SERIES

SPECIFICATIONS

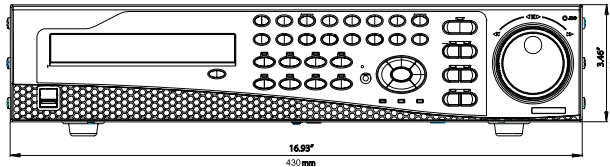
RAS Plus Software	
Sessions Maximum per HRXD recorder	14 simultaneous connections
Administration	2 sessions
Users Viewing Live Video (and activating outputs)	10 sessions
Users Retrieving Video	2 sessions
Compatibility	Microsoft Windows XP or later; See RASplus User Guide for additional detail Doc. 900.0857
Recorder Unit	
Video Standard	NTSC or PAL (Auto Detect)
Video Format	720 x 480 (NTSC) 720 x 576 (PAL)
Color Control	Brightness, contrast, hue and saturation
Recording and Transmission Compression Algorithm	XtraStor compression technology
Record Mode	(FIFO) Continuous buffer
Recording Capacity	Up to 2 HD - 750 GB
Recording Rate (Global)	240/200 ips (NTSC/PAL)
Video Quality Settings	Standard: 336x224 (NTSC), or 336x272 (PAL) High: 672x224 (NTSC), or 672x272 (PAL)
Video Motion Detection	Configurable zone detection area and sensitivity
Video Motion Search	Configurable zone of interest and sensitivity level. Includes clip list with preview image
POS/ATM or Alarm Data	Up to 10 serial text streams (max) interface via RS232, RS485, USB
Event Recording and Reporting	Input via – alarm i/p contacts, Motion and POS/ATM data. Reporting via internal buzzer, alarm o/p contacts, RAS and email notification
Mass Storage	Ultra-wide SCSI port; high density 68 pin female connector
Removable Media	Built-in CDR/W and 3 – USB ports
Still Image	Bitmap or JPEG file format
Front Panel Control	Intuitive operation supports Jog dial, Shuttle ring, mouse and IR remote
SNTP Client	Synchronize timing to SNTP servers
DHCP Enabled	DHCP or Manual IP entry & ADSLwith PPPoE
Port number set-up	Individual entries for Remote Admin, Remote Watch, Remote Search, Remote Callback
PTZ Protocols Support	Support for up to 50 PTZ protocols
Language Support	English, French, Spanish, Dutch, Italian, Portugese and German
Internal Buzzer	Selectable upon alarm or event

Connections	
Video Input	9 or 16 – Looping, BNC 1 Vp-p @ 75 Ohms, Auto Terminating
Video Output	1 – Composite, BNC 1 Vp-p @ 75 Ohms 1 – SVHS 1 – VGA alternative to using Composite or SVHS 4 – Spot, BNC 1.0 – Vp-p @ 75 Ohms
Audio Input/Output	4 – Line level, RCA 1 – Line Out, RCA
Alarm/Control Inputs General Purpose	9 or 16 TTL programmable as NC or NO
Alarm Reset Input	Front panel or 1 TTL terminal block
Control Outputs	9 or 16 TTL open collector, 5mA@12V, 30mA@5V
Serial Ports	1 – RS232-C DB9 (P) 3 – USB (2.0), Mouse supported 1 – RS485 port
Primary Storage	EIDE HDD (up to 2)
Secondary Storage	SCSI port to connect RAID storage device
SCSI	Standard 68-pin, type 2 connector
Networking	10/100 base Ethernet (RJ-45), RS232C connection for external modem Regional power cord included
IR Port	1 Remote Control
Electrical	
Input Voltage	100 – 230 VAC, 2 A, 60 – 50 Hz
Operating Voltage	115 V/230 V Auto sensing
Power Consumption	90 Watts
Mechanical	
Dimensions (W x H x D)	16.9" x 3.46" x 16.9" 430 mm x 88 mm x 430 mm
Weight	Unit: 22.5 lb (10.2 kg) Shipping: 27.6 lb (12.5kg)
Construction	Housing: Steel chassis Finish: Black matte paint
Environmental	
Temperature	Operating: 41°F to 104°F (5°C to 40°C) Storage: -4°F to +140°F (-20°C to +60°C)
Relative Humidity	0% - 90%, non-condensing
Regulatory	
Emissions	Emissions FCC: Part 15 Subpart B, Class A CE: 89/336/EEC, 92/31/EEC; EN 55022:1994 + A1:1995 + A2:1997 EN61000-3-2:2000 EN61000-3-3:1995 + A1:2001
Immunity	CE: EN50130-4:1995 + A1: 1998
Safety U.S. and Canada International	UL 60950, Third Edition (2000) CAN/CSA-C22.2 No. 60950-00 Third Edition (2000) CE: 73/23/EEC EN 60950:2000 + Corr.Febr.2002

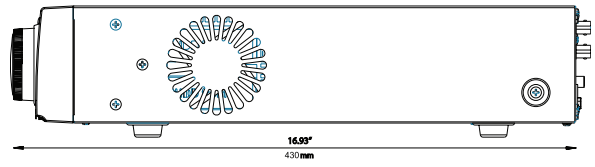
HRXD SERIES

www.honeywellvideo.com

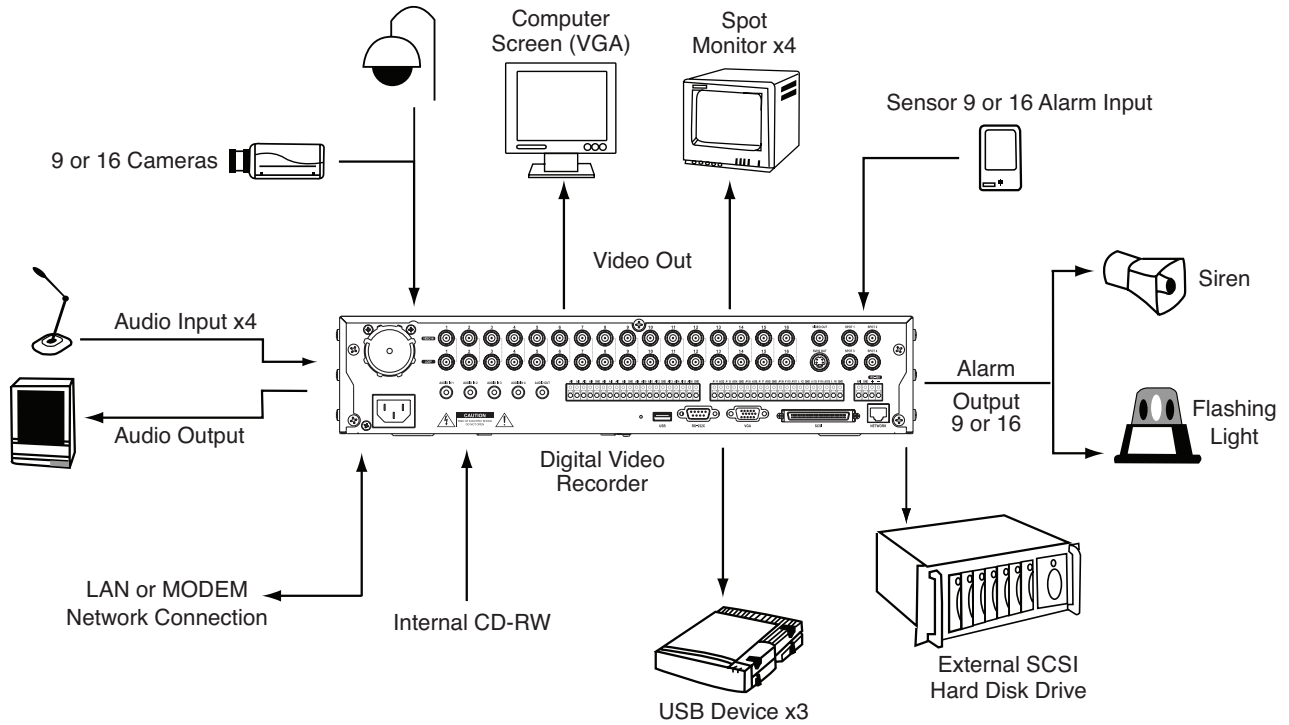
SYSTEM DIMENSIONS



Front View



Side View



System Drawing

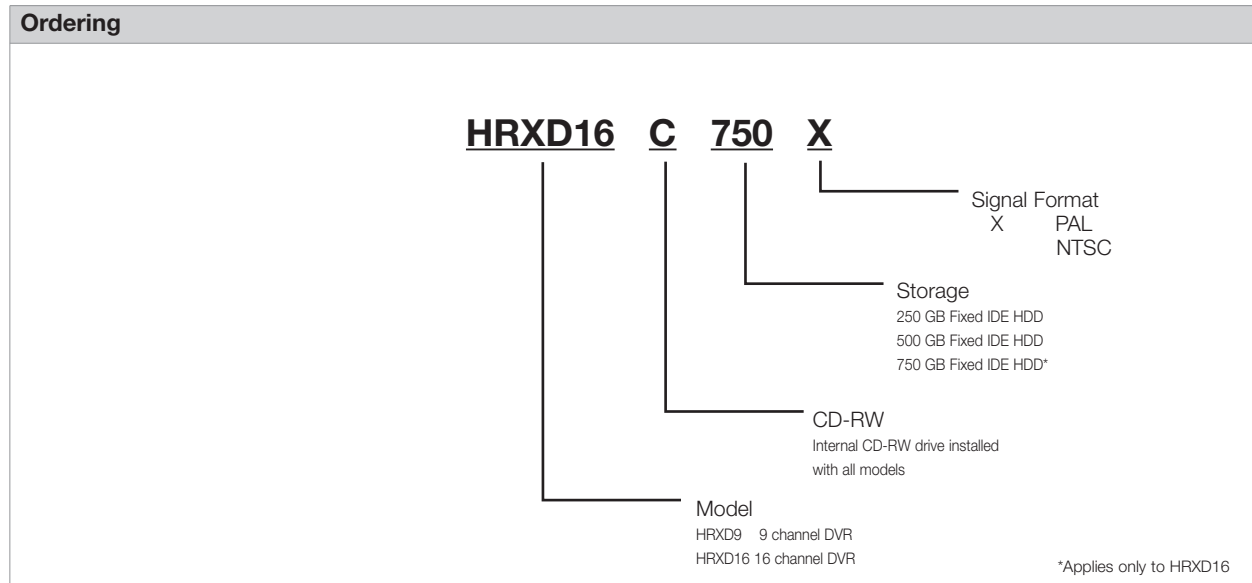
HRXD SERIES

www.honeywellvideo.com

ACCESSORIES

Accessories	
HMC14	14" Color CRT Monitor
HMC14RK1	Rackmount kit for HMC14 Monitor (BNC)
HMLCD19e	19" e-Series Color LCD Monitor (VGA)
Fixed Cameras, Domes, PTZ	See Honeywell's full line of indoor & outdoor cameras, housings, lenses, and infrared illuminators
HCSP1	Camera Surge Protector
HDSP1	PTZ Dome Surge Protector

Ordering



NOTE: Honeywell reserves the right, without notification, to make changes in product design or specifications. Microsoft Internet Explorer is a registered trademark of Microsoft Corporation.

Honeywell Security
 Honeywell Video Systems
 2700 Blankenbaker Pkwy, Suite 150
 Louisville, KY 40299
 1.800.796.CCTV
 www.honeywell.com

L/HRXDDVRD/D
 January 2007
 © 2007 Honeywell International Inc.

Honeywell